

# Cross Section Drawing

## TIE Aluminum Double Casement Window, Hinged Screen 1 5/16" Nailfin Setback Frame

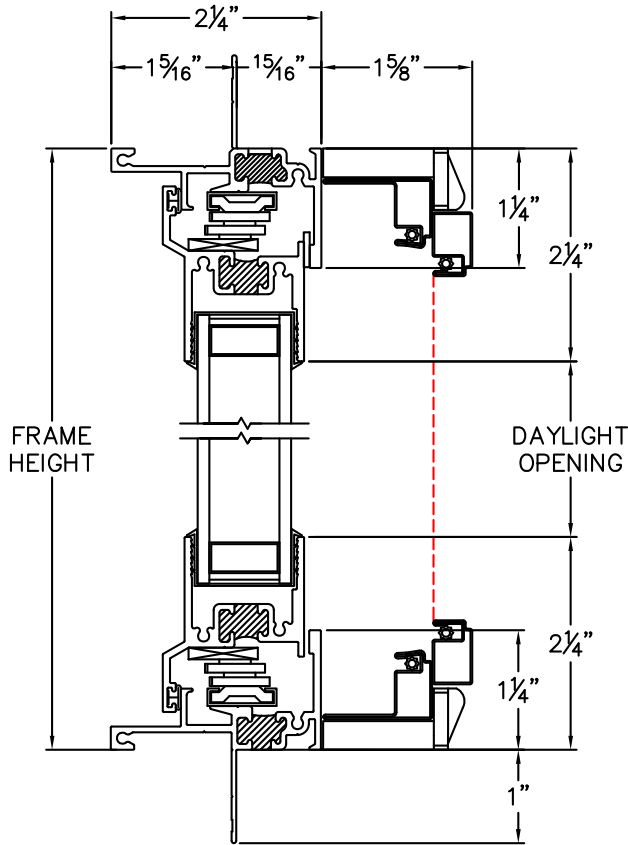


Clearly the best.™

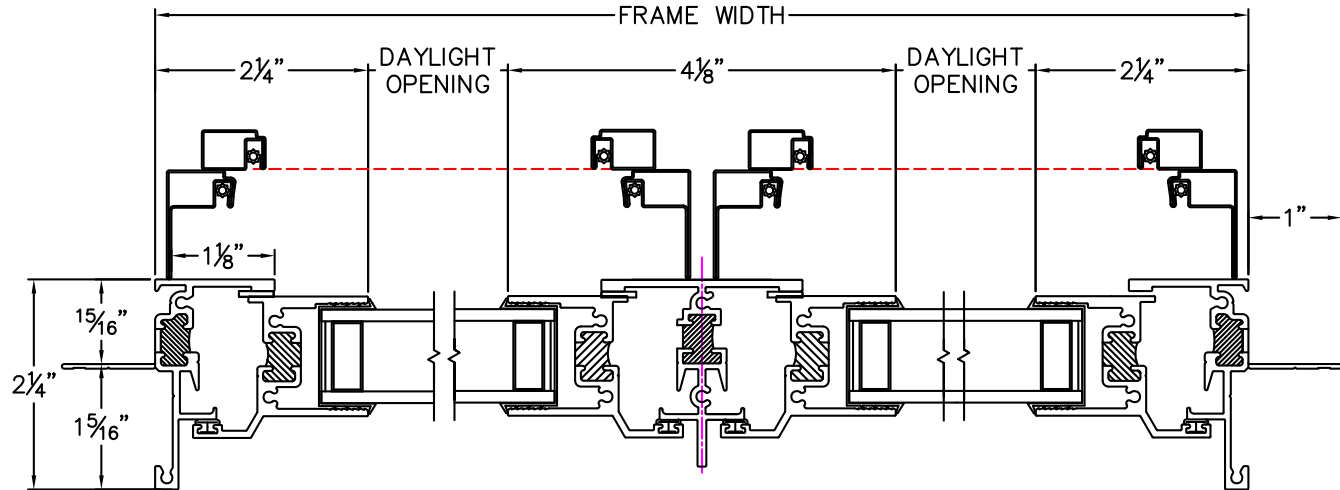
CAD File Scale	View	File Name	Units
NTS	Horizontal & Vertical	Aluminum_TIE_920_DC_1in_hinged-screen	Inch

More Technical Documents can be found at [milgard.com/professionals](http://milgard.com/professionals)  
Due to continual research and development, details may be changed at any time. ©2013 Milgard Mfg.

### CASEMENT SERIES 920



HEAD & SILL



JAMBS