

Cross Section Drawing

Aluminum Double Vent Window 1 1/16" Nailfin Setback Frame



Clearly the best.™

CAD File Scale
NTS

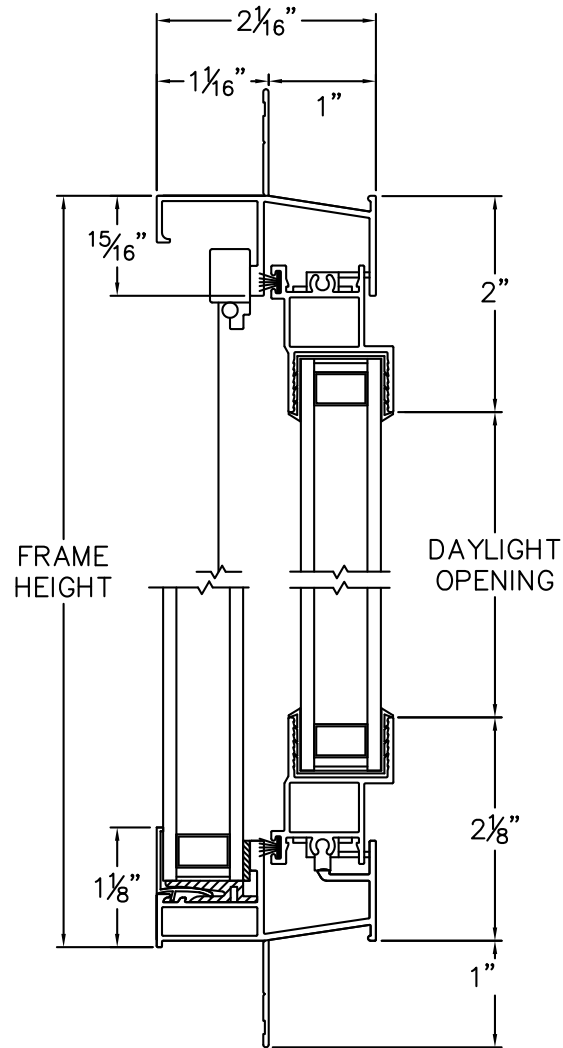
View
Horizontal & Vertical

File Name
Aluminum 1110 DV 1in

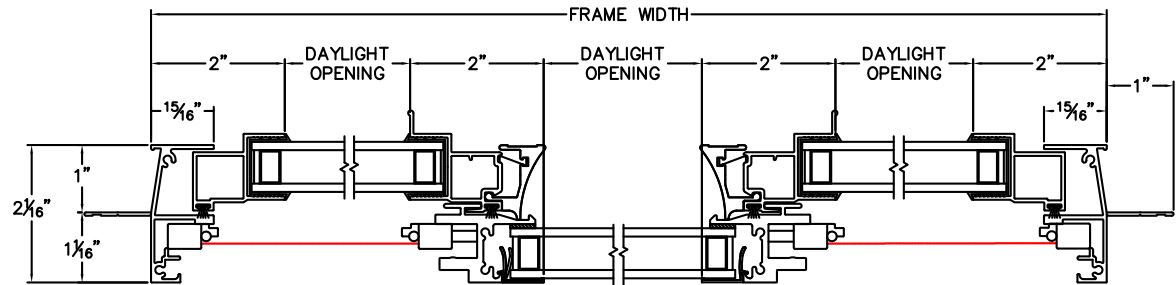
Units
Inch

More Technical Documents can be found at milgard.com/professionals
Due to continual research and development, details may be changed at any time. ©2013 Milgard Mfg.

DOUBLE VENT SERIES 1110C



HEAD & SILL



JAMBS